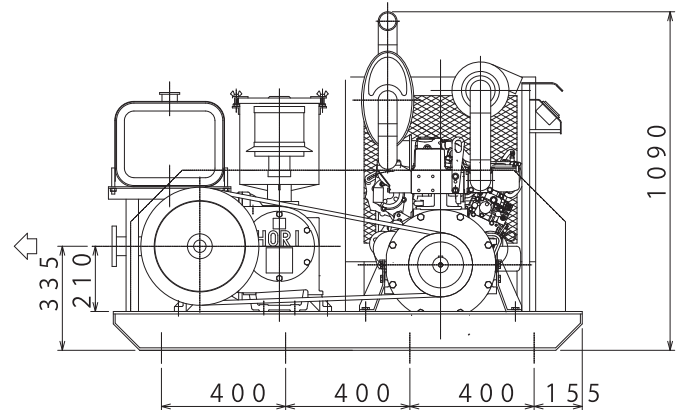
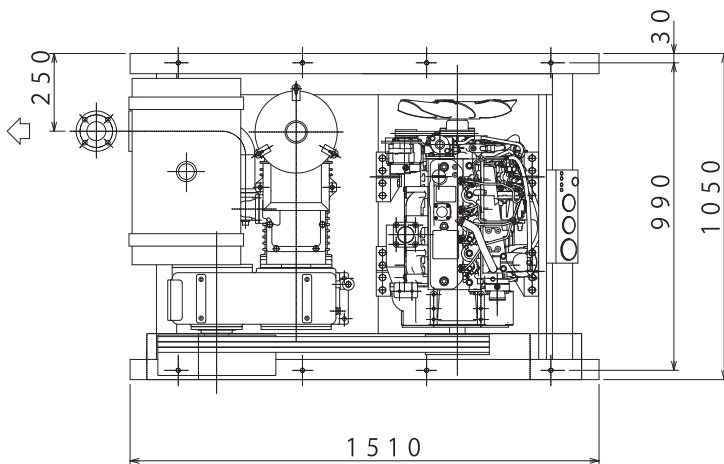
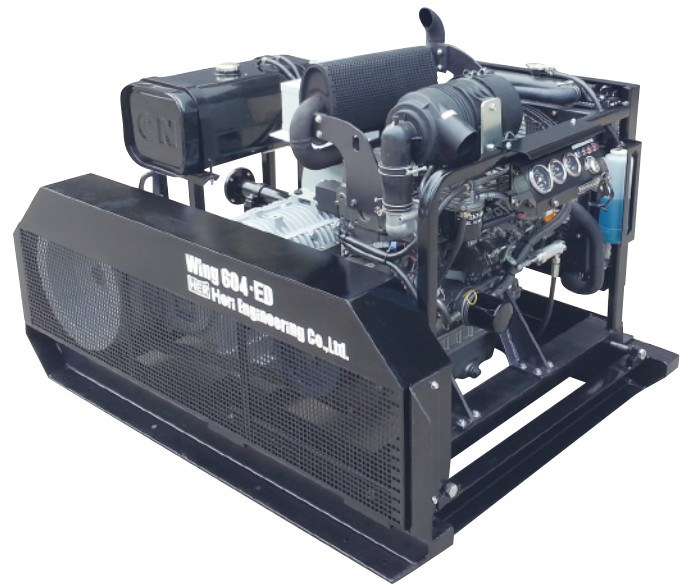


# Wing 604-ED<sup>®</sup>

## Dry Bulk Truck Compressor Driven by Diesel Engine

*High Performance  
Light Weight  
Quiet*



### Specification

Max. Discharge Pressure	36 PSI (2.5 bar)
Discharge Pressure	30 PSI (2.0 bar)
Flow Rate	445 m <sup>3</sup> /hr (2.0 bar)
Weight	665 kg

**HER Hori Engineering Co., Ltd.<sup>®</sup>**

HIPRO Solutions, Bangalore, India

Authorised Sales and Service for SAARC Nations"

Phone : +91 8105727592, Email : sriniva1177@gmail.com

